

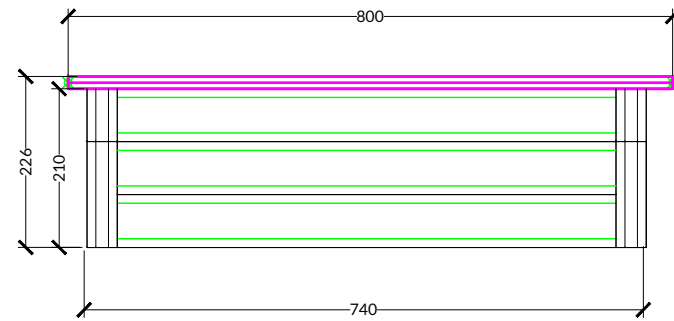
# 226MM PLATFORM

## QTY: 3

### CLIENT APPROVAL

Signature

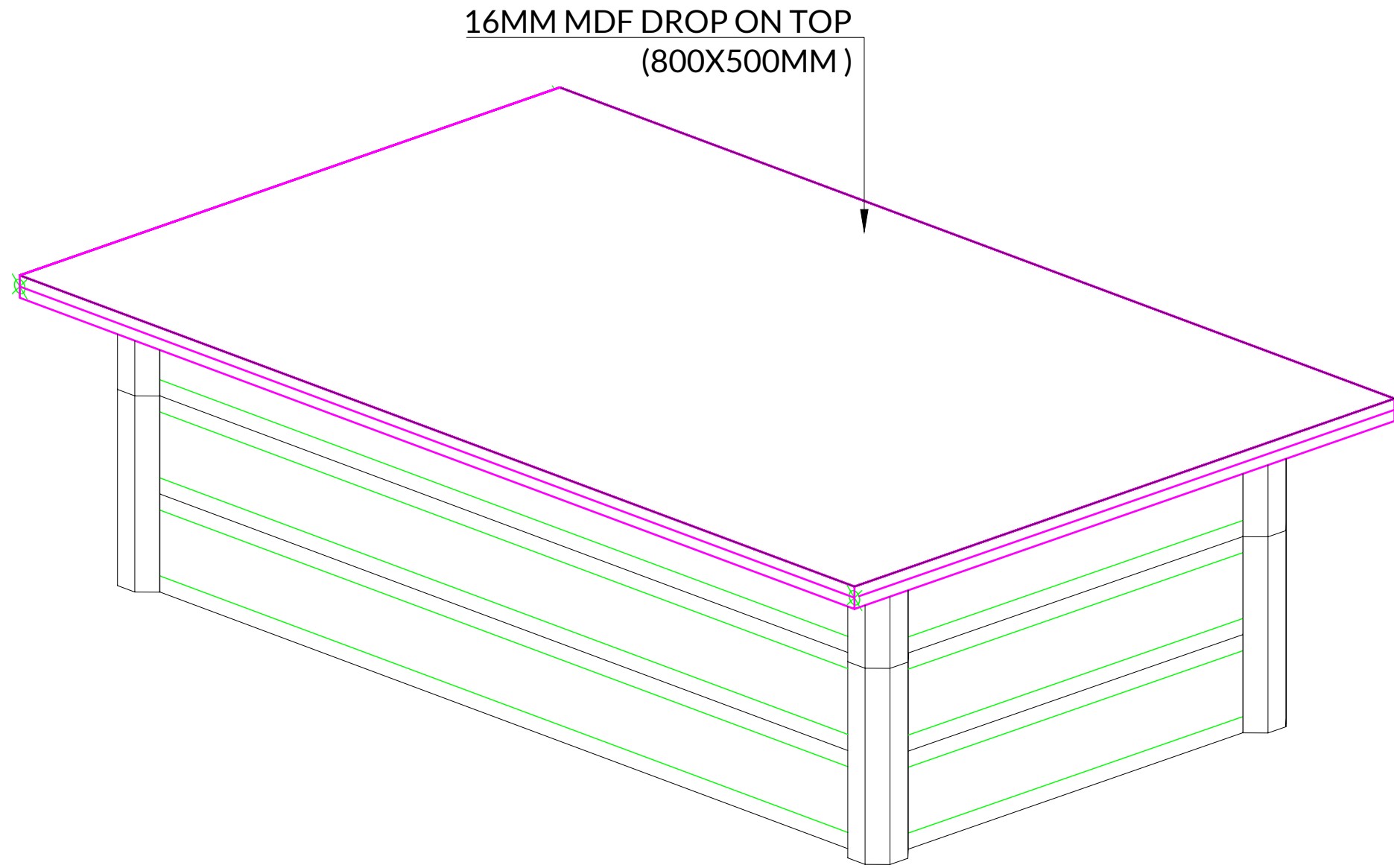
Date



FRONT ELEVATION - SCALE 1:50 - A3



PLAN - SCALE 1:50 - A3



ISOMETRIC - FRONT VIEW

### WORK AREA - PLATFORMS

ROBO CUP 2019  
ICC



moreton.net.au | 1300 360 424 | @moretonhire

PLAN TYPE:  
**A3L - 3D CLIENT - 226MM PLATFORM**

JOB CODE: **ROBOBS19**

REVISION NO: **01**

SHOW DATE: **00/00/0000**

STAND NUMBER: **TBC**

ACCOUNT MANAGER:  
**RS**

DESIGNER:  
**SC**

THIS PLAN IS SUBJECT TO CHANGE,  
VENUE APPROVAL & A SITE INSPECTION  
ONCE SIGN OFF HAS BEEN ACCEPTED

© copyright of MORETON HIRE